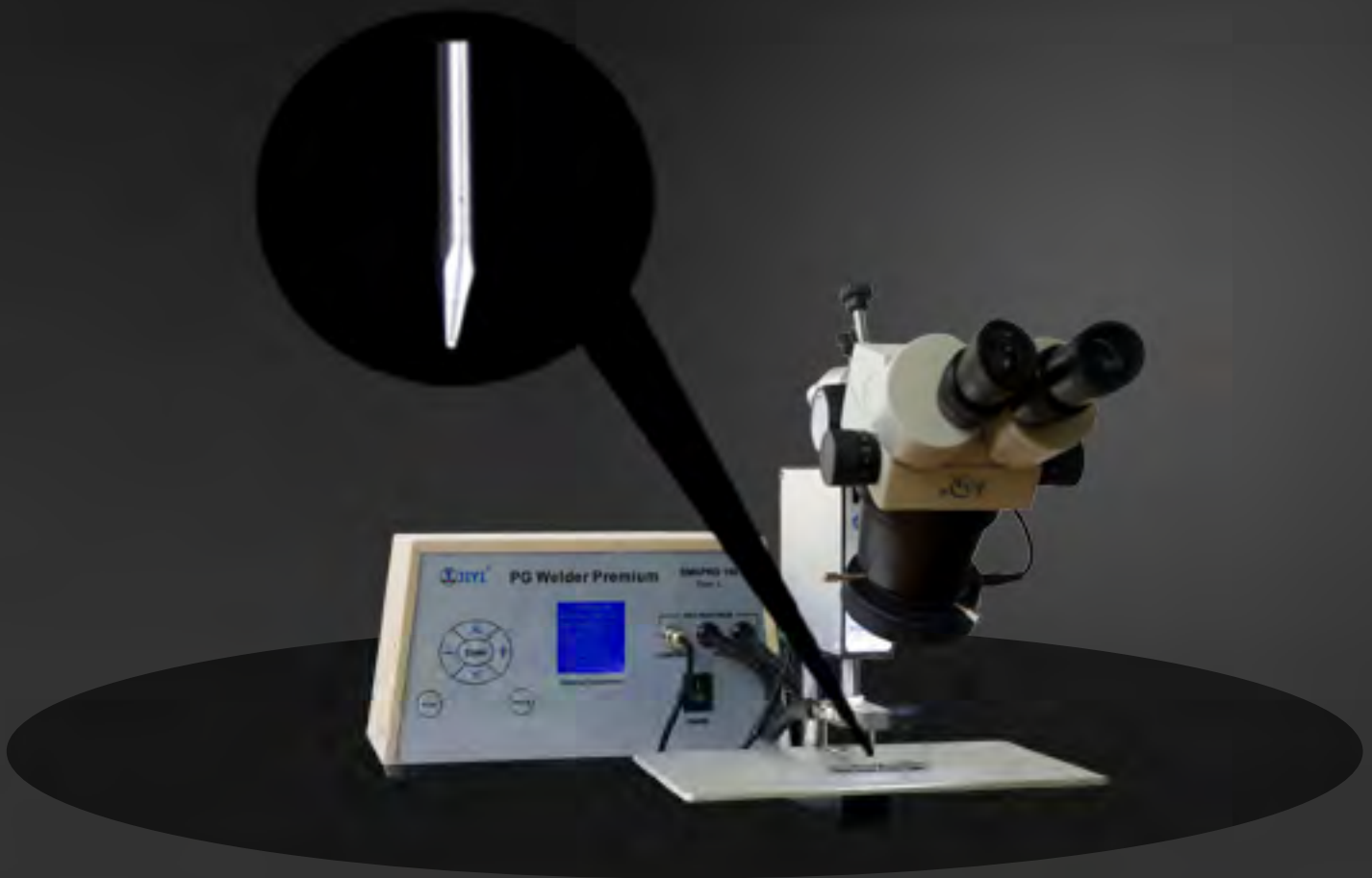


CLEAN FREE ELECTRODES

SW-ETD-N SERIES

THE WORLD'S BEST ENAMELED WIRE & RIBBON WELDER
PATENTED TECHNOLOGY



SW TECH EQUIPMENT, INC.

WWW.SWTECHEQUIPMENT.COM

T: 424-757-0117 | F: 424-757-0188

INFO@SWTECHEQUIPMENT.COM

Features:

- ❖ Patented Technology
- ❖ Clean Free: Closed Tip Configuration to Prevent Residual Material Build Up
- ❖ Most Effective on Enameled Wire Welding
- ❖ Durable
- ❖ Molybdenum Tungsten Alloy

Descriptions:

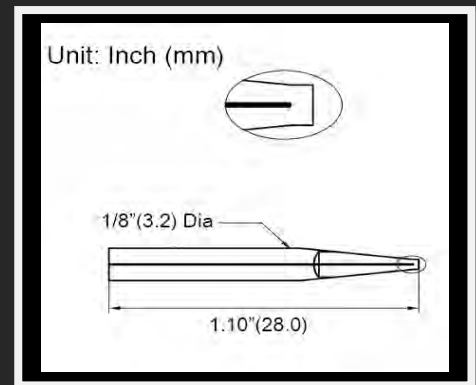
Model SW-ETD-N series “clean free” electrodes are especially designed for enameled wire welding applications to prevent the residual material build up. The electrodes are designed not only for SW Tech Equipment’s parallel gap welders, but also used on other industry standard parallel gap welders. They are constructed in two sections, typically oriented in left and right positions in the electrode holder. **Model SW-ETD-N** series electrodes are bonded together with a thin adhesive insulator. The material used for these electrodes is Molybdenum Tungsten Alloy (MTA), which offers the ultimate durability.

Although these electrodes are designed for enameled wire welding applications, many customers have chosen them over the standard electrodes for their **Gold Ribbon** and many metal wire/strip applications due to the superior performance these electrodes offer. While catalog models have outline dimension **1/8” dia x 1.10” long** to meet industry standard, custom dimensions are available per request.

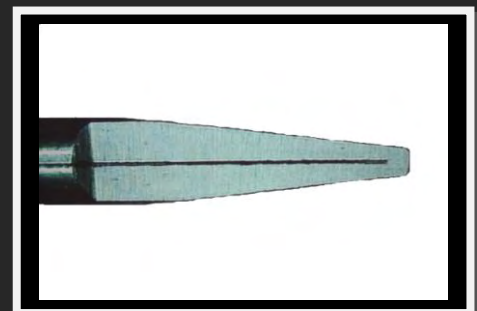
Catalog Models:

(Contact factory for other models or your own models.)

Model #	Tip Shape	Tip Foot Print
SW-ETD-N0R	Round	41 x 41 mils ² (1.05 x 1.05 mm ²)
SW-ETD-N0F	Flat	39 x 39 mils ² (1.00 x 1.00 mm ²)
SW-ETD-N0S	Slanted	39 x 43 mils ² (1.00 x 1.10 mm ²)
SW-ETD-N0W	Wedge	31 x 35 mils ² (0.80 x 0.90 mm ²)
SW-ETD-N0C	Concave	39 x 39 mils ² (1.00 x 1.00 mm ²)
SW-ETD-N1R	Round	32 x 32 mils ² (0.82 x 0.82 mm ²)
SW-ETD-N1F	Flat	31 x 33 mils ² (0.80 x 0.85 mm ²)
SW-ETD-N1S	Slanted	31 x 33 mils ² (0.80 x 0.85 mm ²)
SW-ETD-N1W	Wedge	27 x 30 mils ² (0.70 x 0.75 mm ²)
SW-ETD-N1C	Concave	31 x 31 mils ² (0.80 x 0.80 mm ²)
SW-ETD-N2R	Round	28 x 28 mils ² (0.72 x 0.72 mm ²)
SW-ETD-N2F	Flat	27x 27 mils ² (0.70 x 0.70 mm ²)
SW-ETD-N2S	Slanted	27 x 30 mils ² (0.70 x 0.75 mm ²)
SW-ETD-N2W	Wedge	24 x 26 mils ² (0.60 x 0.65 mm ²)
SW-ETD-N2C	Concave	27 x 27 mils ² (0.70 x 0.70 mm ²)
SW-ETD-N3R	Round	24 x 24 mils ² (0.62 x 0.62 mm ²)
SW-ETD-N3F	Flat	23 x 23 mils ² (0.60 x 0.60 mm ²)
SW-ETD-N3S	Slanted	23 x 26 mils ² (0.60 x 0.65 mm ²)
SW-ETD-N3W	Wedge	20 x 22 mils ² (0.50 x 0.55 mm ²)
SW-ETD-N3C	Concave	23 x 23 mils ² (0.60 x 0.60 mm ²)



Out Line



Photo